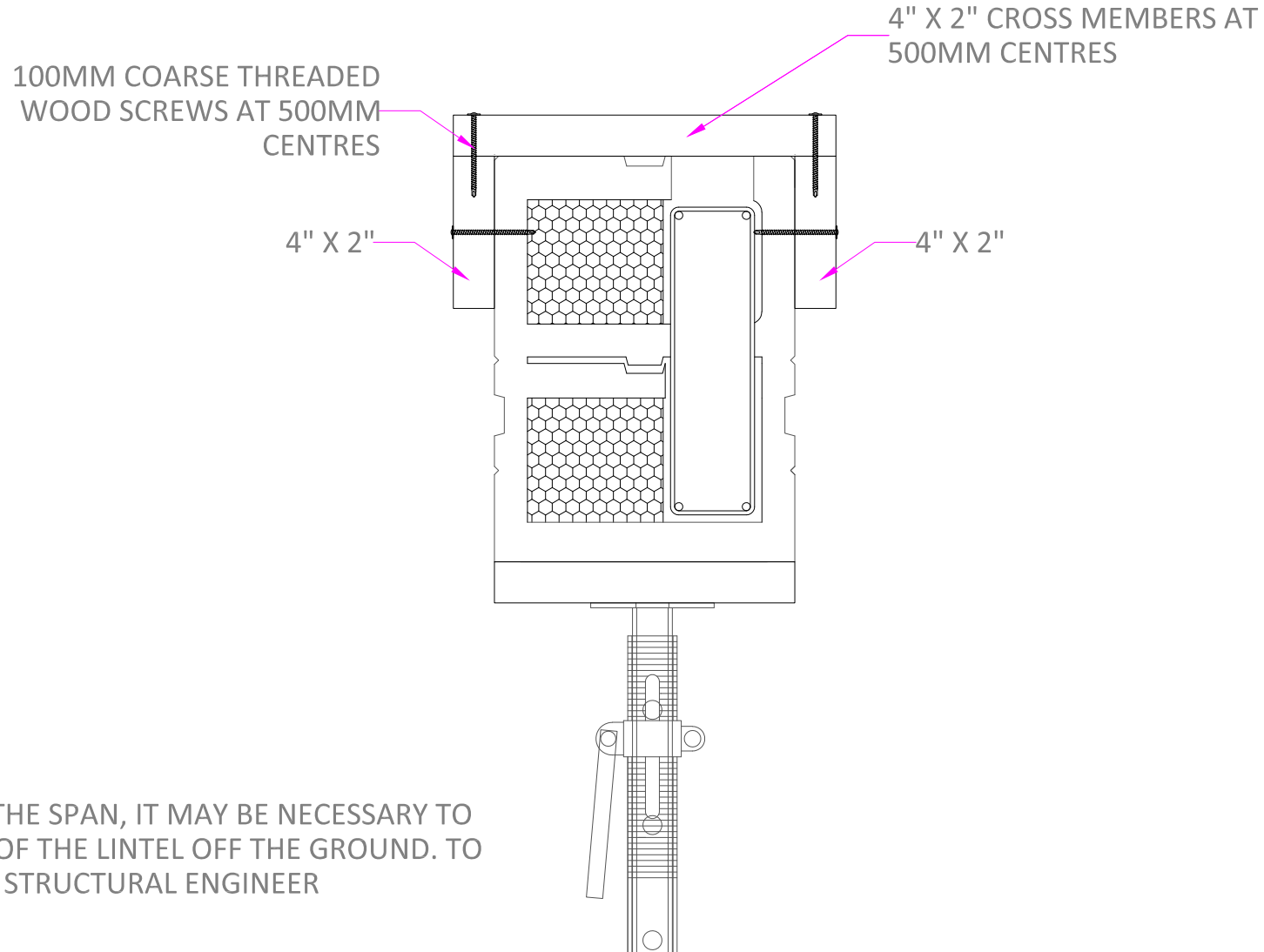


TYPICAL LARGE SPAN LINTEL BRACING DETAIL



Durisol UK Ltd
Parkway, Pen-y-Fan Industrial Estate,
Crumlin, Gwent, NP11 3EF United Kingdom
T 01495 249 400
E enquiries@durisoluk.com
www.durisoluk.com

DURISOL TECHNICAL RESOURCES

DRAWING NUMBER: DTS132

REV: 1

NOT TO SCALE

FOR INFORMATION ONLY. ALWAYS USE A STRUCTURAL ENGINEER FOR YOUR SPECIFIC PROJECT DETAILS